



Fast and easy – the best of both worlds

The combination of responsive gas hob and fast-heating electric oven lets you get out of the kitchen, and enjoying other things, even faster.

The combination of responsive gas hob and fast-heating electric oven lets you get out of the kitchen, and enjoying other things, even faster.

Product Benefits & Features



Light gas easily

To light the hob, simply turn and press the knob – the gas ignites automatically. It's so easy!

- 1 rapid burner, 2 semi-rapid burners, 1 simmer burner
- 2 semi-rapid burners
- 1 simmer burner
- Enamel pan supports
- Stylish glass lid
- Thermaflow® fan oven
- Top cavity features:
- Main oven features:
- Top heat
- Cooker features:

The effortless way to a clean oven

You can keep this oven clean with doing hardly any cleaning. Its special catalytic lining absorbs grease before burning it up at high temperatures.

Get twice the cooking capacity with two oven cavities

Let's face it – in the kitchen, you don't always have the luxury of being able to do things one at a time. Luckily, with two oven cavities, you can easily bake and grill simultaneously – getting your meal onto the table much faster.

Less work, more even-cooking

Experience effective fan cooking with the Zanussi double oven. It keeps heat moving through the lower cavity for completely even-cooking. There's no need to turn or move food around, either. Just enjoy meals as they should be, every time.

Relax - no more wondering if the food is done yet!

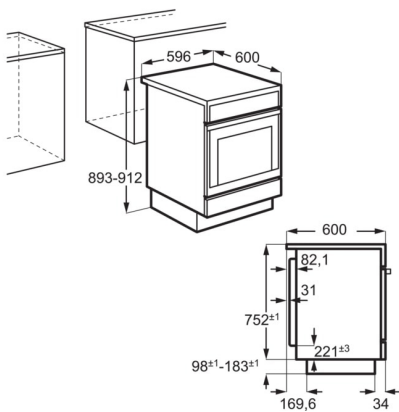
The electronic timer on this cooker means you don't have to keep checking whether your food is done yet. When it is, the acoustic signal will let you know.

Product Specification

Dimensions	894-912x600x600
Voltage	240
Total electricity loading, W	5200
Required Fuse	30
Cavity size	77
Volume usable, l	39
Largest Surface area	1254
Colour	White
Self-Cleaning?	Catalytic
Cleaning Bottom Oven	Catalytic
Power Management	No
Energy class	A
Energy efficiency class	A
Energy consumption, hot air, kWh/cycle	0.83
Energy consumption per EU standard cycle	0.75
Right front - Power/Diameter	1000W/66mm
Right rear - Power/Diameter	1900W/80mm
Dial	3000W/109mm
Rear - Power/Diameter	1900W/80mm
Tray types included	1 Dripping pan black enamel, No
Type of Trays - Bottom Oven	No
Grids	2 Flat shelf chromed wirework

Grids type - Bottom Oven	1 Flat shelf chromed wirework, 1 Grill pan grid chromed wirework
Runners	Grid Runners
Runners - Bottom Oven	Grid Runners
Gas supply: natural gas	G20 (2H) 20 mbar
ProdPartCode	All Open

PSGBCO190DE00003



PSGBCO190DE00008

